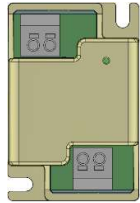


# Installation Instructions – IMBBG5 REV. A

## AC Surge Protector Type 2 (or Type 3) for LED luminaires



038798 – AC SURGE PROTECTOR CLII 10kV 5kA

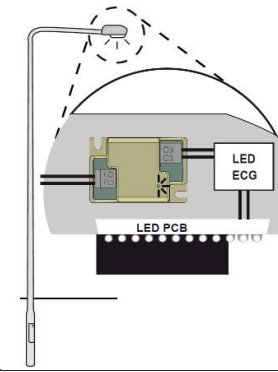
## Technical data TABLE 1

MAX OPERATING ALTITUDE – **2000** [m]  
 OPERATING TEMPERATURE – **-40/+85** [°C]  
 AC MAINS – **220-240** [V<sub>ac</sub>]  
 AC SYSTEM – **TT/TN**  
 CONNECTION BY SPRING TERMINAL  
 $I_{max}$  – **10** [kA]  
 $I_{PE}$  – **none**  
 IP rating – **IP 20**

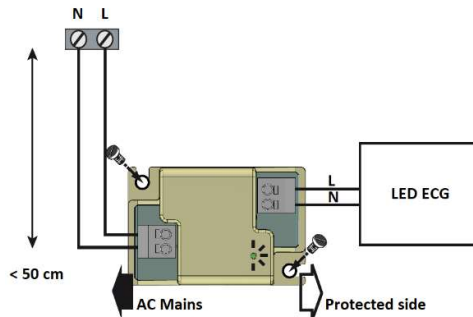
Indoor use only



## Application example

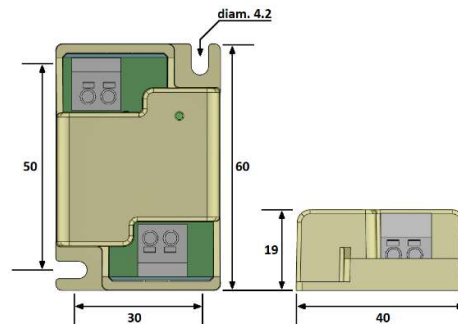


## Installation & wiring

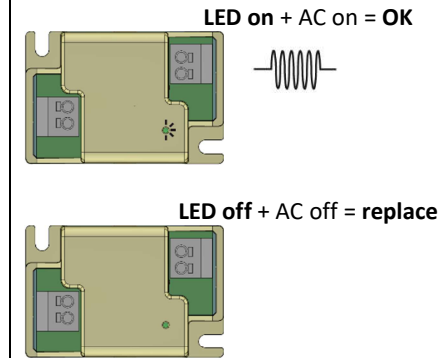


min/max WIRE  $\varnothing$  – **20/16** [AWG]  
 min/max WIRE STRIPPING – **9/10** [mm]

## Dimensions [mm]



## Maintenance



## Safety instructions

- Installation must be performed only by electrically skilled operator
- national installation rules must be followed
- the unit must be used only as surge protector and according the conditions described in this document
- the device must be selected according to the application and the voltage
- in case of default, the LED turns off and the surge protector must be replaced



Via Caberardi 3, 24012 Val Brembilla BG ITALY  
 Phone +39 0345 52111  
 www.arditi.com

